



STEEL MILLPRODUCTS

STEEL MILL BARS

HOLDERS & ACCESSORIES

OXYGEN LANCCE HOSE

STEEL KILL ACCESSORIES

SAFETY CLOTHING FOR LANCING

ASUM Enterprises, Inc.

4771 Sweetwater Blvd., No. 340

Sugar Land, TX 77479, USA

Email: sales@asumenterprises.com

aluddin@asumenterprise.com

Web: asumenterprises.com

TBALE OF CONTENTS

BARE LANCE PIPE
CALORIZED LANCE PIPE
OXYGEN LANCE HOLDERS
LANCE PIPE HOLDERS WITH EXTENSION HANDLE
LANCE PIPE HOLDERS WITHOUT EXTENSION HANDLE
PL HOLDERS
OXYLANCE LP LANCE HOLDERS
OXYLANCE OXYGEN CONTROL VALVES
OXYGEN LEVER VALVE
OXYGEN LANCE HOSE
300 PSI OXYGEN LANCE HOSE
Oxylance Hose Reel Lancing Systems
HOSE REEL WITH 300 PSI LANCE HOSE
FLOW MANIFOLD REGULATOR
INLINE OXYGEN FILTER
OXYGEN LEAK DEDUCTION
STEEL MILL ACCESSORIES
SLAG MEASURING DEVICES
PIPE CRIMPING MACHINES
KEVLAR ALUMINIZED PROTECTIVE CLOTHING
COOL SHIRT SYSTEM

Oxylance



BARE LANCE PIPE

Bare Lance Pipe inventory comes in many diameters, wall thickness, lengths and end finishes. End finishes for bare Lance Pipe are plain end, threaded and quick connect. We carry a wide variety of raw goods that can be processed to your specific requirements. All of our Lance Pipe is cleaned for oxygen service in our cleaning operation to ensure safe and reliable use.



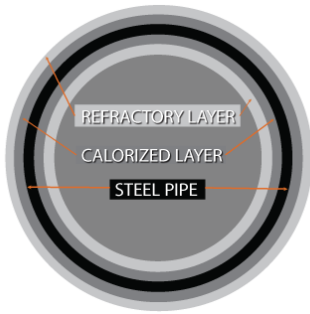
- Scrap Processing
- Opening Tap Holes
- Injecting additives into the melt
- Blowing oxygen into the melt for foamy slag operations

Lance Pipe Size Chart

PIPE SIZES	OUTSIDE DIAMETER	QUICK CONNECT	THREADED ONE END	THREADED & COUPLED
1/8"	.405"	NO	YES	YES
1/4"	.540"	YES	YES	YES
3/8"	.675"	YES	YES	YES
1/2"	.840"	YES	YES	YES
3/4"	1.05"	YES	YES	YES
1"	1.315"	NO	YES	YES
1 1/4"	1.660"	NO	YES	YES
1 1/2"	1.900"	NO	YES	YES

TUBE SIZES	OUTSIDE DIAMETER	PLAIN ENDS	QUICK CONNECT
3/16"	.187"	YES	NO
1/4"	.250"	YES	NO
5/16"	.312"	YES	NO
3/8"	.375"	YES	YES
1/2"	.500"	YES	YES
5/8"	.625"	YES	YES
3/4"	.750"	YES	YES
.922"	.922"	YES	YES
1 1/4"	1.250"	YES	YES
1 1/2"	1.500"	YES	YES

CALOTIZED LANCE PIPE



Calorized Lance Pipe

Calorized lance pipe is made up of 5 layers. At the core is a high quality mild steel lance pipe. In the calorization process the lance pipe is heated to 1000c (1830f) in a mixture of aluminum powder. At 1000c (1830f), the aluminum fuses with the surface of the steel pipe and forms a permanent layer of aluminum-iron alloy. The Calorized pipe is then coated inside and outside with a layer of refractory material which resist heat and slows the melting of the lance pipe. When Calorized pipe is exposed to high heat the refractory material and the Calorized layer form an Aluminum Oxide Film which increases the melting temperature to 2050 degrees c (3750 degrees f).

Calorized Lance Pipe is used for melting and refining steel by both injecting oxygen and injecting other elements such as Carbon or Lime into the melt.

USES FOR CALORIZED PIPE

- Cutting scrap steel
- Refining steel during the melt
- Injection of Carbon, Lime Powder, and other additives for adjusting grades of Carbon steel or specialty steels
- Removing slag inside oxygen convertors
- End finishes; plain ends, threaded and coupled and press on couplings

Pipe Size Chart

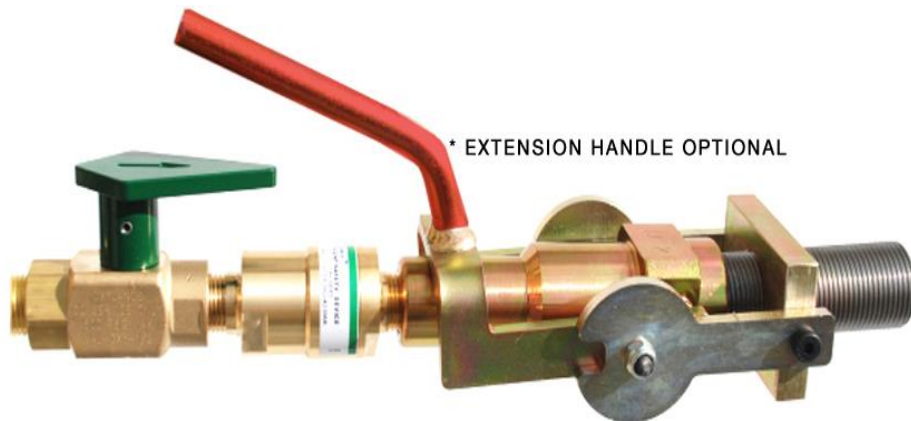
PIPE SIZES	OUTSIDE DIAMETER	PLAIN END	PRESS ON COUPLING	THREADED & COUPLED	BUNDLE COUNT	LENGTHS
3/8"	.675"	YES	YES	YES	200	9' & 18'
1/2"	.840"	YES	YES	YES	200	9' & 18'
3/4"	1.05"	YES	YES	YES	200	9' & 18'
1"	1.315"	YES	YES	YES	100	9' & 18'
1 1/4"	1.660"	YES	YES	YES	100	9' & 18'
1 1/2"	1.900"	NO	YES	YES	50	9' & 18'

OXYGEN LANCE HOLDERS

Oxylance manufactures a variety of holders for lancing operations that closely resembles the type of holder you have.

LANCE PIPE HOLDERS WITH EXTENSION HANDLE

#1 LEVEL ACTION HOLDER FOR .405" TO .675" (1/8" TO 3/8" PIPE AND TUBE SIZES)



1 Lever Action for .405" O.D. TUBE or 1/8" PIPE

PART NUMBER	DESCRIPTION	HOLDER W/ EXTENSION HANDLE AND SHIELD
LA1405-H	#1 Lever Action Holder (no valve) with .405 grommet	LA1405-H-S
PL 1/8-6	LA 1 Rubber Grommet for .405" pipe	
LA1405F-H	#1 Lever Action Holder with 1/2" Thermal Shutoff	LA1405F-H-S
LA1405FG-H	#1 Lever Action Holder with ball valve & 1/2" Thermal Shutoff	LA1405FG-H-S
LA1405FV-H	#1 Lever Action Holder with LV Valve & 1/2" Thermal Shutoff	LA1405FV-H-S

1 Lever Action for .540" O.D. TUBE or 1/4" PIPE

PART NUMBER	DESCRIPTION	HOLDER W/ EXTENSION HANDLE AND SHIELD
LA1540-H	#1 Lever Action Holder (no valve) with .540" grommet	LA1540-H-S
PL 10-6	LA 1 Rubber Grommet for .540" pipe	
LA154F-H	#1 Lever Action Holder with 1/2" Thermal Shutoff	LA1540F-H-S
LA1540FG-H-B	#1 Lever Action Holder with ball valve & 1/2" Thermal Shutoff (w/ *B fitting for 3/8" ID hose)	LA1540FG-H-S-B
LA1540FV-H-B	#1 Lever Action Holder with LV Valve & 1/2" Thermal Shutoff (w/ *B fitting for 3/8" ID hose)	LA1540FV-H-S-B
LA1540FG-H-C	#1 Lever Action Holder with ball valve & 1/2" Thermal Shutoff (w/ *C fitting for 1/2" ID hose)	LA1540FG-H-S-C
LA1540FV-H-C	#1 Lever Action Holder with LV Valve & 1/2" Thermal Shutoff (w/ *C fitting for 1/2" ID hose)	LA1540FV-H-S-C

1 Lever Action for .540", .625", .675" O.D. TUBE

PART NUMBER	DESCRIPTION	HOLDER W/ EXTENSION HANDLE AND SHIELD
LA167-H	#1 Lever Action Holder (no valve) with .675" grommet	LA1675-H-S
LA1675I	LA1 Rubber Grommet for .675" pipe	
LA167FG-H-B	#1 LA Holder with Ball Valve & 1/2" Thermal Shutoff (w/ "B fitting for 3/8" ID hose)	LA167FG-H-S-B
LA167FV-H-B	#1 LA Holder with LV Valve & 1/2" Thermal Shutoff (w/ "B fitting for 3/8" ID hose)	LA167FV-H-S-B
LA167FG-H-C	#1 LA Holder with Ball Valve & 1/2" Thermal Shutoff (w/ "C fitting for 1/2" ID hose)	LA167FG-H-S-C
LA167FV-H-C	#1 LA Holder with LV Valve & 1/2" Thermal Shutoff (w/ "C fitting for 1/2" ID hose)	LA167FV-H-S-C

#2 LEVEL ACTION HOLDER FOR .540" TO .675"

PART NUMBER	DESCRIPTION	HOLDER W/ EXTENSION HANDLE AND SHIELD
LA254-H	#2 Lever Action Holder (no valve) with .540" grommet	LA254-H-S
LA254I	LA 2 Rubber Grommet for .540" pipe	
LA254FG-H-B	#2 Lever Action Holder with ball valve & 1/2" Thermal Shutoff (w/ "B fitting for 3/8" ID hose)	LA254FG-H-S-B
LA254FV-H-B	#2 Lever Action Holder with LV Valve & 1/2" Thermal Shutoff (w/ "B fitting for 3/8" ID hose)	LA254FV-H-S-B
LA254FG-H-C	#2 Lever Action Holder with ball valve & 1/2" Thermal Shutoff (w/ "C fitting for 1/2" ID hose)	LA254FV-H-S-C
LA254FV-H-C	#2 Lever Action Holder with LV Valve & 1/2" Thermal Shutoff (w/ "C fitting for 1/2" ID hose)	LA254FV-H-S-C

#2 LEVEL ACTION HOLDER FOR .675" TO .625"

PART NUMBER	DESCRIPTION	HOLDER W/ EXTENSION HANDLE AND SHIELD
LA2675-H	#2 Lever Action Holder (no valve) with 675" grommet	LA267-H-S
LA2675I	LA 2 Rubber Grommet for .625" and .675" pipe	
LA267FG-H-B	#2 Lever Action Holder with ball valve & 1/2" Thermal Shutoff (w/ *B fitting for 3/8" ID hose)	LA267FG-H-S-B
LA267FV-H-B	#2 Lever Action Holder with LV Valve & 1/2" Thermal Shutoff (w/ *B fitting for 3/8" ID hose)	LA267FV-H-S-B
LA267FG-H-C	#2 Lever Action Holder with ball valve & 1/2" Thermal Shutoff (w/ *C fitting for 1/2" ID hose)	LA267FV-H-S-C
LA267FV-H-C	#2 Lever Action Holder with LV Valve & 1/2" Thermal Shutoff (w/ *C fitting for 1/2" ID hose)	LA267FV-H-S-C

#3 LEVEL ACTION HOLDER FOR .840", .922" and 1.05"

PART NUMBER	DESCRIPTION	HOLDER W/ EXTENSION HANDLE AND SHIELD
LA384 -H	#3 Lever Action Holder (no valve) with .840" grommet	LA384-H-S
LA3840I	LA3 Rubber Grommet for .840" pipe	
LA384-F-H	#3 Lever Action Holder with 3/4" Thermal Shutoff (w/ *C fitting for 1/2" ID hose)	LA384F-H-S
LA384FG-H	#3 Lever Action Holder with ball valve & 3/4" Thermal Shutoff	LA384FG-H-S
LA384FG-H-C	#3 Lever Action Holder with ball valve & 3/4" Thermal Shutoff (w/ *C fitting for 1/2" ID hose)	LA384FG-H-S-C

<

PART NUMBER	DESCRIPTION	HOLDER W/ EXTENSION HANDLE AND SHIELD
LA392-H	#3 Lever Action Holder (no valve) with .922" grommet	LA392-H-S
LA392I	LA3 Rubber Grommet for .922" pipe	
LA392-F-H	#3 Lever Action Holder with 3/4" Thermal Shutoff (w/ "C fitting for 1/2" ID hose)	LA392F-H-S
LA392FG-H	#3 Lever Action Holder with ball valve & 3/4" Thermal Shutoff	LA392FG-H-S
LA392FG-H-C	#3 Lever Action Holder with ball valve & 3/4" Thermal Shutoff (w/ "C fitting for 1/2" ID hose)	LA392FG-H-S-C

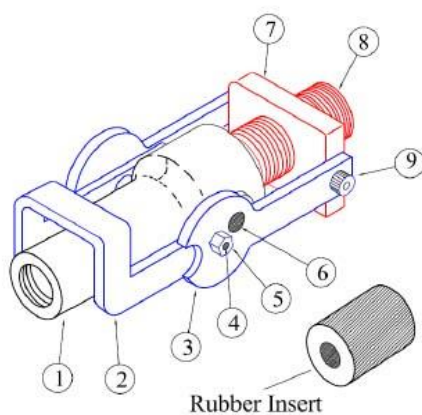
PART NUMBER	DESCRIPTION	HOLDER W/ EXTENSION HANDLE AND SHIELD
LA3105-H	#3 Lever Action Holder (no valve) with 1.05" grommet	LA3105-H-S
LA3105I	LA3 Rubber Grommet for 1.05" pipe	
LA3105F-H	#3 Lever Action Holder with 3/4" Thermal Shutoff (w/ "C fitting for 1/2" ID hose)	
LA3105FG-H	#3 Lever Action Holder with ball valve & 3/4" Thermal Shutoff	LA3105FG-H-S
LA3105FG-H-C	#3 Lever Action Holder with ball valve & 3/4" Thermal Shutoff (w/ "C fitting for 1/2" ID hose)	LA3105FG-H-S-C

#4 LEVEL ACTION HOLDER FOR 1.250" and 1.315" O.D. PIPE

PART NUMBER	NO SHIELD AVAILABLE FOR LA4 OR LA5 HOLDERS
LA41315	#4 Lever Action Holder (no valve)
LA41315I	LA4 Rubber Grommet for 1.25" and for 1.315" O.D. tube or 1" pipe
LA41315F4	#4 LA Holder w/ 1" Thermal Shutoff
LA41315FB4	#4 LA Holder w/ Ball Valve & 1" Thermal Shutoff
LA41315F5	#4 LA Holder w/ 1 1/4" Thermal Shutoff
LA41315FB5	#4 LA Holder w/ Ball Valve & 1 1/4" Thermal Shutoff

#5 LEVEL ACTION HOLDER FOR 1.66" O.D. TUBE OF 1 1/4" PIPE

PART NUMBER	NO SHIELD AVAILABLE FOR LA4 OR LA5 HOLDERS
LA5166	#5 Lever Action Holder (no valve)
LA5166I	LA5 Rubber Grommet for 1.66" O.D. tube or 1 1/4" pipe
LA5166F	#5 LA Holder w/ 1 1/4" Thermal Shutoff
LA5166FB	#5 LA Holder w/ Ball Valve & 1 1/4" Thermal Shutoff



- 1 Body
 - 2 Lever Handle
 - 3 Inner Link (2 each)
 - 4 Link Bolts (2 each)
 - 5 Link Bolt Nuts (2 each)
 - 6 Hinge Pins (2 each behind Inner Link)
 - 7 Barrel Nut
 - 8 Barrel
 - 9 Barrel Nut Bolts (2 each)
 - 10 Hand Shield (Photo on right)
- Note: Part # 6 On LA 4 & LA 5 is a hinge bolt.**
- 1- 10 i.d. numbers in drawing refers to last number in part numbers below

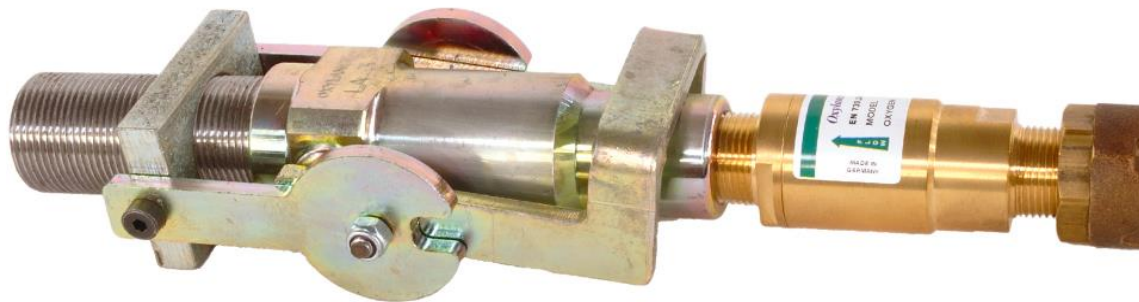


LA 1 PARTS		LA 2 PARTS		LA 3 PARTS	
PART #	DESCRIPTION	PART #	DESCRIPTION	PART #	DESCRIPTION
LAP1-1	#1 LA Body	LAP2-1	#2 LA Body	LAP3-1	#3 LA Body
LAP1-2-H	#1 LA Lever Handle w/ Extension	LAP23-2-H	#2 LA Lever Handle w/ Extension	LAP23-2-H	#3 LA Lever Handle w/ Extension
LAP1-3	#1 LA Inner Link	LAP2-3	#2 LA Inner Link	LAP3-3	#3 LA Inner Link
LAP234-4	Link Bolt	LAP234-4	Link Bolt	LAP234-4	Link Bolt
LAP234-5	Link Bolt Nut	LAP234-5	Link Bolt Nut	LAP234-5	Link Bolt Nut
LAP234-6	Hinge Pin	LAP234-6	Hinge Pin	LAP234-6	Hinge Pin
LAP1-7	#1 Barrel Nut	LAP2-7	#2 Barrel Nut	LAP3-7	#3 Barrel Nut
LAP1-8	#1 Barrel	LAP2-8	#2 Barrel	LAP3-8	#3 Barrel
LAP234-9	Barrel Nut Bolt	LAP234-9	Barrel Nut Bolt	LAP234-9	Barrel Nut Bolt
LAP1-10	#1 Hand Shield & Shield Nuts	LAP2-10	#2 Hand Shield & Shield Nuts	LAP3-10	#3 Hand Shield & Shield Nuts

LA 4 PARTS		LA 5 PARTS	
PART #	DESCRIPTION	PART #	DESCRIPTION
LAP4-1	#4 LA Body	LAP5-1	#5 LA Body
LAP4-2	#4 LA Lever Handle	LAP5-2	#5 LA Lever Handle
LAP4-3	#4 LA Inner Link	LAP5-3	#5 LA Inner Link
LAP234-4	Link Bolt	LAP5-4	Link Bolt
LAP234-5	Link Bolt Nut	LAP5-5	Link Bolt Nut
LAP4-6	Hinge Bolt	LAP5-6	Hinge Bolt

LAP4-7	#4 Barrel Nut	LAP5-7	#5 Barrel Nut
LAP4-8	#4 Barrel	LAP5-8	#5 Barrel
LAP234-9	Barrel Nut Bolt	LAP5-9	Barrel Nut Bolt

LANCE PIPE HOLDERS WITHOUT EXTENSION



#1 LEVEL ACTION HOLDER FOR .405" TO .675" (1/8" TO 3/8" PIPE AND TUBE SIZES)

1 Lever Action for .405" O.D. TUBE or 1/8" PIPE

PART NUMBER	DESCRIPTION	HOLDER WITH SHIELD	
LA1405	#1 Lever Action Holder (no valve) with .405 grommet	LA1405-S	with hand shield
PL 1/8-6	LA 1 Rubber Grommet for .405" pipe		
LA1405F	#1 Lever Action Holder with 1/2" Thermal Shutoff	LA1405FS	with hand shield
LA1405FG	#1 Lever Action Holder with ball valve & 1/2" Thermal Shutoff	LA1405FGS	with hand shield
LA1405FV	#1 Lever Action Holder with LV Valve & 1/2" Thermal Shutoff	LA1405FVS	with hand shield

1 Lever Action for .540" O.D. TUBE or 1/4" PIPE

LA1540	#1 Lever Action Holder (no valve) with .540" grommet	LA1540-S	with hand shield
PL 10-6	LA 1 Rubber Grommet for .540" pipe		
LA154F	#1 Lever Action Holder with 1/2" Thermal Shutoff	LA1540FS	with hand shield
LA1540FG-B	#1 Lever Action Holder with ball valve & 1/2" Thermal Shutoff (w/ *B fitting for 3/8" ID hose)	LA1540FGS-B	with hand shield
LA1540FV-B	#1 Lever Action Holder with LV Valve & 1/2" Thermal Shutoff (w/ *B fitting for 3/8" ID hose)	LA1540FVS-B	with hand shield
LA1540FG-C	#1 Lever Action Holder with ball valve & 1/2" Thermal Shutoff (w/ *C fitting for 1/2" ID hose)	LA1540FGS-C	with hand shield
LA1540FV-C	#1 Lever Action Holder with LV Valve & 1/2" Thermal Shutoff (w/ *C fitting for 1/2" ID hose)	LA1540FVS-C	with hand shield

1 Lever Action for .540", .625", .675" O.D. TUBE

LA167	#1 Lever Action Holder (no valve) with .675" grommet	LA1675-S	with hand shield
LA1675I	LA1 Rubber Grommet for .675" pipe		
LA167FG-B	#1 LA Holder with Ball Valve & 1/2" Thermal Shutoff (w/ *B fitting for 3/8" ID hose)	LA167FGS-B	with hand shield
LA167FV-B	#1 LA Holder with LV Valve & 1/2" Thermal Shutoff (w/ *B fitting for 3/8" ID hose)	LA167FVS-B	with hand shield
LA167FG-C	#1 LA Holder with Ball Valve & 1/2" Thermal Shutoff (w/ *C fitting for 1/2" ID hose)	LA167FGS-C	with hand shield
LA167FV-C	#1 LA Holder with LV Valve & 1/2" Thermal Shutoff (w/ *C fitting for 1/2" ID hose)	LA167FVS-C	with hand shield

#2 LEVEL ACTION HOLDER FOR .540" TO .675"

LA254	#2 Lever Action Holder (no valve) with .540" grommet	LA254S	with hand shield
LA254I	LA 2 Rubber Grommet for .540" pipe		
LA254FG-B	#2 Lever Action Holder with ball valve & 1/2" thermal shutoff (w/ "B fitting for 3/8" ID hose)	LA254FGS-B	with hand shield
LA254FV-B	#2 Lever Action Holder with LV Valve & 1/2" thermal shutoff (w/ "B fitting for 3/8" ID hose)	LA254FVS-B	with hand shield
LA254FG-C	#2 Lever Action Holder with ball valve & 1/2" thermal shutoff (w/ "C fitting for 1/2" ID hose)	LA254FVS-C	with hand shield
LA254FV-C	#2 Lever Action Holder with LV Valve & 1/2" thermal shutoff (w/ "C fitting for 1/2" ID hose)	LA254FVS-C	with hand shield

#2 LEVEL ACTION HOLDER FOR .675" TO .625"

LA2675	#2 Lever Action Holder (no valve) with .675" grommet	LA267S	with hand shield
LA2675I	LA 2 Rubber Grommet for .625" and .675" pipe		
LA267FG-B	#2 Lever Action Holder with ball valve & 1/2" Thermal Shutoff (w/ "B fitting for 3/8" ID hose)	LA267FGS-B	with hand shield
LA267FV-B	#2 Lever Action Holder with LV Valve & 1/2" Thermal Shutoff (w/ "B fitting for 3/8" ID hose)	LA267FVS-B	with hand shield
LA267FG-C	#2 Lever Action Holder with ball valve & 1/2" Thermal Shutoff (w/ "C fitting for 1/2" ID hose)	LA267FVS-C	with hand shield
LA267FV-C	#2 Lever Action Holder with LV Valve & 1/2" Thermal Shutoff (w/ "C fitting for 1/2" ID hose)	LA267FVS-C	with hand shield

#3 LEVEL ACTION HOLDER FOR .840", .922" and 1.05"

LA384	#3 Lever Action Holder (no valve) with .840" grommet	LA384S	with hand shield
LA3840I	LA3 Rubber Grommet for .840" pipe		
LA384F	#3 Lever Action Holder with 3/4" Thermal Shutoff (w/ "C fitting for 1/2" ID hose)	LA384FS	with hand shield
LA384FG	#3 Lever Action Holder with ball valve & 3/4" Thermal Shutoff	LA384FGS	with hand shield
LA384FG-C	#3 Lever Action Holder with ball valve & 3/4" Thermal shutoff (w/ "C fitting for 1/2" ID hose)	LA384FGS-C	with hand shield

LA392	#3 Lever Action Holder (no valve) with .922" grommet	LA392S	with hand shield
LA392I	LA3 Rubber Grommet for .922" pipe		
LA392F	#3 Lever Action Holder with 3/4" Thermal Shutoff (w/ "C fitting for 1/2" ID hose)	LA392FS	with hand shield
LA392FG	#3 Lever Action Holder with ball valve & 3/4" Thermal Shutoff	LA392FGS	with hand shield
LA392FG-C	#3 Lever Action Holder with ball valve & 3/4" Thermal Shutoff (w/ "C fitting for 1/2" ID hose)	LA392FGS-C	with hand shield

LA3105	#3 Lever Action Holder (no valve) with 1.05" grommet	LA3105S	with hand shield
LA3105I	LA3 Rubber Grommet for 1.05" pipe		
LA3105F	#3 Lever Action Holder with 3/4" Thermal Shutoff (w/ "C fitting for 1/2" ID hose)	LA3105FS	with hand shield

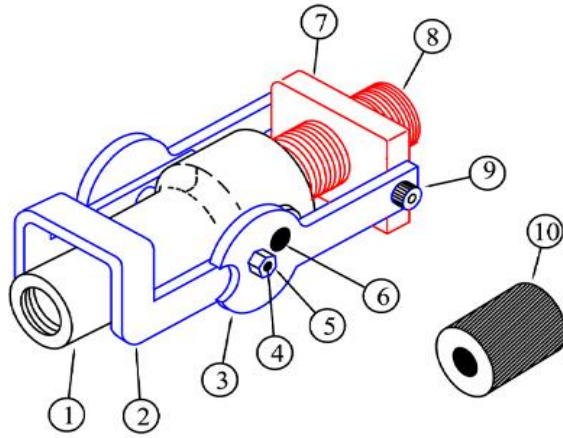
LA3105FG	#3 Lever Action Holder with ball valve & 3/4" Thermal Shutoff	LA3105FGS	with hand shield
LA3105FG-C	#3 Lever Action Holder with ball valve & 3/4" Thermal Shutoff (w/ "C fitting for 1/2" ID hose)	LA3105FGS-C	with hand shield

#4 LEVEL ACTION HOLDER FOR 1.250" and 1.315" O.D. PIPE

NO SHIELD AVAILABLE FOR LA4 OR LA5 HOLDERS	
LA41315	#4 Lever Action Holder (no valve)
LA41315I	LA4 Rubber Grommet for 1.25" and for 1.315" O.D. tube or 1" pipe
LA41315F4	#4 LA Holder w/ 1" Thermal Shutoff
LA41315FB4	#4 LA Holder w/ Ball Valve & 1" Thermal Shutoff
LA41315F5	#4 LA Holder w/ 1 1/4" Thermal Shutoff
LA41315FB5	#4 LA Holder w/ Ball Valve & 1 1/4" Thermal Shutoffs

#5 LEVEL ACTION HOLDER FOR 1.66" O.D. TUBE OF 1 1/4" PIPE

LA5166	#5 Lever Action Holder (no valve)
LA5166I	LA5 Rubber Grommet for 1.66" O.D. tube or 1 1/4" pipe
LA5166F	#5 LA Holder w/ 1 1/4" Thermal Shutoff
LA5166FB	#5 LA Holder w/ Ball Valve & 1 1/4" Thermal Shutoff



- 1 Body
- 2 Lever Handle
- 3 Inner Link (2 each)
- 4 Link Bolts (2 each)
- 5 Link Bolt Nuts (2 each)
- 6 Hinge Pins (2 each hidden behind Inner Link)
- 7 Barrel Nut
- 8 Barrel
- 9 Barrel Nut Bolts (2 each)
- 10 Rubber Insert

LA 1 PARTS		LA 2 PARTS		LA 3 PARTS	
PART #	DESCRIPTION	PART #	DESCRIPTION	PART #	DESCRIPTION
LAP1-1	#1 LA Body	LAP2-1	#1 LA Body	LAP3-1	#1 LA Body
LAP1-2	#1 LA Lever Handle	LAP2-2	#1 LA Lever Handle	LAP3-2	#1 LA Lever Handle
LAP1-3	#1 LA Inner Link	LAP2-3	#1 LA Inner Link	LAP3-3	#1 LA Inner Link
LAP234-4	Link Bolt	LAP234-4	Link Bolt	LAP234-4	Link Bolt
LAP234-5	Link Bolt Nut	LAP234-5	Link Bolt Nut	LAP234-5	Link Bolt Nut
LAP234-6	Hinge Pin	LAP234-6	Hinge Pin	LAP234-6	Hinge Pin
LAP1-7	#1 Barrel Nut	LAP2-7	#1 Barrel Nut	LAP3-7	#1 Barrel Nut
LAP1-8	#1 Barrel	LAP2-8	#1 Barrel	LAP3-8	#1 Barrel
LAP234-9	Barrel Nut Bolt	LAP234-9	Barrel Nut Bolt	LAP234-9	Barrel Nut Bolt
LAP1-10	#1 Hand Shield & Shield Nuts	LAP2-10	#1 Hand Shield & Shield Nuts	LAP3-10	#1 Hand Shield & Shield Nuts

LA 4 PARTS		LA 5 PARTS	
PART #	DESCRIPTION	PART #	DESCRIPTION
LAP4-1	#4 LA Body	LAP5-1	#5 LA Body
LAP4-2	#4 LA Lever Handle	LAP5-2	#5 LA Lever Handle
LAP4-3	#4 LA Inner Link	LAP5-3	#5 LA Inner Link
LAP234-4	Link Bolt	LAP5-4	Link Bolt
LAP234-5	Link Bolt Nut	LAP5-5	Link Bolt Nut
LAP4-6	Hinge Bolt	LAP5-6	Hinge Bolt
LAP4-7	#4 Barrel Nut	LAP5-7	#5 Barrel Nut
LAP4-8	#4 Barrel	LAP5-8	#5 Barrel
LAP234-9	Barrel Nut Bolt	LAP5-9	Barrel Nut Bolt

PL HOLDERS

ALL HOLDERS ARE SHIPPED WITH A RUBBER GROMMET INSTALLED

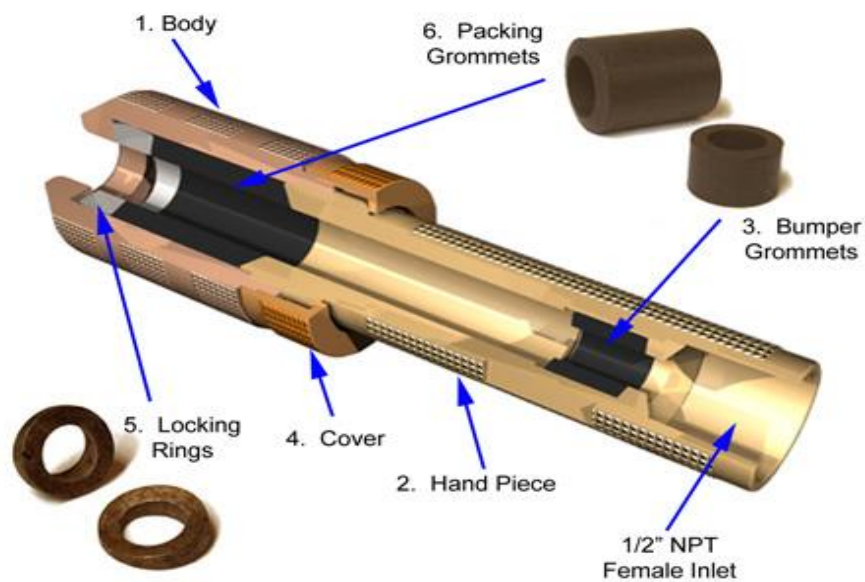


The PL Holder is an all brass holder that incorporates a hardened steel lock ring to hold the Lance Pipe with a Viton rubber Grommet to provide a positive seal for the oxygen supply.

1/8" PIPE (.405" OUTSIDE DIAMETER)		1/4" PIPE (.540" OUTSIDE DIAMETER)	
Part #	Description	Part #	Description
PL 1/8	PL Holder for 1/8" Pipe	PL10	PL Holder for 1/4" Pipe
PL 1/8FG	PL 1/8 with Thermal Shutoff & Ball Valve	PL10FG	PL 10 with Thermal Shutoff & Ball Valve
PL 1/8FV	PL 1/8 with Thermal Shutoff & LV Valve	PL10FV	PL 10 with Thermal Shutoff & LV Valve
PL 1 /8-1	PL 1/8 Body	PL10-1	PL 10 Body
PL 1 /8-2	PL 1/8 Hand Piece	PL10-2	PL 10 Hand Piece
PL 1 /8-3	PL 1/8 Bumper Grommet	PL10-3	PL 10 Bumper Grommet
PL 1 /8-4	PL 1/8 Cover	PL10-4	PL 10 Cover
PL 1 /8-5	PL 1/8 Locking Ring	PL10-5	PL 10 Locking Ring
PL 1 /8-6	PL 1/8Packing Grommet	PL10-6	PL 10 Packing Grommet

3/8" PIPE (.675" OUTSIDE DIAMETER)		1/2" PIPE (.840" OUTSIDE DIAMETER)	
Part #	Description	Part #	Description
PL11	PL Holder for 3/8" Pipe	PL12	PL Holder for 1/2" Pipe
PL11FG	PL 11 with Thermal Shutoff & Ball Valve	PL12FG	PL 12 with Thermal Shutoff & Ball Valve
PL11FV	PL 11 with Thermal Shutoff & LV Valve	PL12FV	PL 12 with Thermal Shutoff & LV Valve

PL11-1	PL 11 Body	PL12-1	PL 12 Body
PL11-2	PL 11 Hand Piece	PL12-2	PL 12 Hand Piece
PL11-3	PL 11 Bumper Grommet	PL12-3	PL 12 Bumper Grommet
PL11-4	PL 11 Cover	PL12-4	PL 12 Cover
PL11-5	PL 11 Locking Ring	PL12-5	PL 12 Locking Ring
PL11-6	PL 11 Packing Grommet	PL12-6	PL 12 Packing Grommet



5/8" TUBE (.625" OUTSIDE DIAMETER)	
Part #	Description
PL 5/8	PL Holder for 5/8" Outside Diameter Tube
PL 5/8FG	PL 5/8 with Thermal Shutoff & Ball Valve
PL 5/8FV	PL 5/8 with Thermal Shutoff & LV Valve
PL 11-1	PL 11 Body
PL 11-2	PL 1-2 Hand Piece

PL 11-3	PL 11-3 Bumper Grommet
PL 11-4	PL 11-4 Cover
PL 5/8-5	PL 5/8 Locking Ring
PL 5/8-6	PL 5/8 Packing Grommet

OXYLANCE LP LANCE HOLDER

The LP Lance Holder is available in either a brass or aluminum body.

ALL HOLDERS ARE SHIPPED WITH A RUBBER GROMMET INSTALLED



OXYLANCE LP LANCE HOLDER



LP 250 FOR .250" O.D. TUBE		REPAIR PARTS	
Part #	Description	Part #	Description
LP250	.250" O.D. LP Holder	LP250-1	Brass End Cap
LP250B	.250" O.D. LP Holder w/ Ball Valve	LP250-2	Brass Body
LP250FG	.250" O.D. LP Holder w/ Ball Valve and Thermal Shutoff	LP250-3	214 Rubber Insert
LP250V	.250" O.D. LP Holder w/ LV Valve	LP250-4	214 Sealing Ring
LP250FV	.250" O.D. LP Holder w/, LV Valve and Thermal Shutoff		

Part #	Description	Part #	Description
LP375	.375" O.D. LP Holder	LP375-1	Brass End Cap
LP375B	.375" O.D. LP Holder w/ Ball Valve	LP375-2	Brass Body
LP375FG	.375" O.D. LP Holder w/ Ball Valve and Thermal Shutoff	LP375-3	216 Rubber Insert
LP375V	.375" O.D. LP Holder w/ LV Valve	LP375-4	217 Sealing Ring
LP375FV	.375" O.D. LP Holder w/, LV Valve and Thermal Shutoff		

#1 end Cap #5 #4 Grommet #3 Gland #2 Body



LP 540 FOR .540" O.D. TUBE (1/4" PIPE)		REPAIR PARTS	
Part #	Description	Part #	Description
LP540	.540" O.D. LP Holder	LPSHN-1	Steel End cap w/ Wrench Handle
LP540G	.540" O.D. LP Holder w/ Ball Valve	LP540-2	Aluminum 540 Body
LP540FG	.540" O.D. LP Holder w/ Ball Valve and Thermal Shutoff	LP5-3	CGB 395 Gland
LP540V	.540" O.D. LP Holder w/ LV Valve	LP5-4	#95 Rubber Insert
LP540FV	.540" O.D. LP Holder w/ LV Valve and Thermal Shutoff	LP351-5	#351 Sealing Ring

LP 675 FOR .675" AND .625" O.D. TUBE		REPAIR PARTS	
Part #	Description	Part #	Description
LP675	.675" O.D. LP Holder	LPSHN-1	Steel End cap w/ Wrench Handle
LP675G	.675" O.D. LP Holder w/ Ball Valve	L600-2	Aluminum 600 Body
LP675FG	.675" O.D. LP Holder w/ Ball Valve and Thermal Shutoff	LP6-3	CGB 396 Gland
LP675V	.675" O.D. LP Holder w/ LV Valve	LP6-4	#96 Rubber Insert
LP675FV	.675" O.D. LP Holder w/ LV Valve and Thermal Shutoff	LP351-5	#351 Sealing Ring

LP 840 FOR .840" O.D. TUBE (1/2" PIPE)		REPAIR PARTS	
Part #	Description	Part #	Description
LP840	.840" O.D. LP Holder	LPSHN-1	Steel End cap w/ Wrench Handle
LP840G	.840" O.D. LP Holder w/ Ball Valve	L600-2	Aluminum 840 Body
LP840FG	.840" O.D. LP Holder w/ Ball Valve and Thermal Shutoff	LP8-3	CGB 397 Gland
LP840V	.840" O.D. LP Holder w/ LV Valve	LP8-4	#97 Rubber Insert
LP840FV	.840" O.D. LP Holder w/ LV Valve and Thermal Shutoff	LP351-5	#351 Sealing Ring

LP 922 FOR .922" O.D. TUBE		REPAIR PARTS	
Part #	Description	Part #	Description
LP922	.922" O.D. LP Holder	LPSHN-1	Steel End cap w/ Wrench Handle
LP922G	.922" O.D. LP Holder w/ Ball Valve	LP922-2	Aluminum 922 Body
LP922FG	.922" O.D. LP Holder w/ Ball Valve and Thermal Shutoff	LP9-3	CGB 498 Gland
		LP9-4	#98 Rubber Insert
		LP413-5	#413 Sealing Ring

LP 1050 FOR 1.050" O.D. TUBE (3/4" PIPE)		REPAIR PARTS	
Part #	Description	Part #	Description
LP1050	1.050" O.D. LP Holder	LPLHN-1	Steel End cap w/ Wrench Handle

LP1050G	1.050" O.D. LP Holder w/ Ball Valve	LP105-2	Aluminum 1.50 Body
LP1050FG	1.050" O.D. LP Holder w/ Ball Valve and Thermal Shutoff	LP105-3	CGB 499 Gland
		LP105-4	#99 Rubber Insert
		LP413-5	#413 Sealing Ring



LP 540 FOR .540" O.D. TUBE (1/4" PIPE)		REPAIR PARTS	
Part #	Description	Part #	Description
LP540S	.540" O.D. LP Holder w/ LAP3-10 Shield	LPSHN-1	Steel End cap w/ Wrench Handle
LP540GS	.540" O.D. LP Holder w/ Ball Valve	LP540-2	Aluminum 540 Body

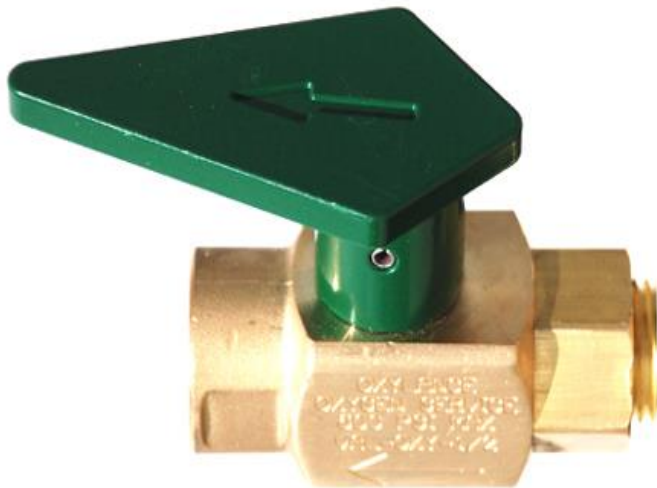
LP540FGS	.540" O.D. LP Holder w/ Ball Valve and Thermal Shutoff	LP5-3	CGB 395 Gland
LP540VS	.540" O.D. LP Holder w/ LV Valve	LP5-4	#95 Rubber Insert
LP540FVS	.540" O.D. LP Holder w/ LV Valve and Thermal Shutoff	LP351-5	#351 Sealing Ring

LP 675 FOR .675" AND .625" O.D. TUBE		REPAIR PARTS	
Part #	Description	Part #	Description
LP675S	.675" O.D. LP Holder w/ LAP3-10 Shield	LPSHN-1	Steel End cap w/ Wrench Handle
LP675GS	.675" O.D. LP Holder w/ Ball Valve	LP600-2	Aluminum 600 Body
LP675FGS	.675" O.D. LP Holder w/ Ball Valve and Thermal Shutoff	LP6-3	CGB 396 Gland
LP675VS	.675" O.D. LP Holder w/ LV Valve	LP6-4	#96 Rubber Insert
LP675FVS	.675" O.D. LP Holder w/ LV Valve and Thermal Shutoff	LP351-5	#351 Sealing Ring

LP 840 FOR .840" O.D. TUBE (1/2" PIPE)		REPAIR PARTS	
Part #	Description	Part #	Description
LP840S	.840" O.D. LP Holder w/ LAP3-10 Shield	LPSHN-1	Steel End cap w/ Wrench Handle
LP840GS	.840" O.D. LP Holder w/ Ball Valve	LP840-2	Aluminum 840 Body
LP840FGS	.840" O.D. LP Holder w/ Ball Valve and Thermal Shutoff	LP8-3	CGB 397 Gland

LP840VS	.840" O.D. LP Holder w/ LV Valve	LP8-4	#97 Rubber Insert
LP840FVS	.840" O.D. LP Holder w/ LV Valve and Thermal Shutoff	LP351-5	#351 Sealing Ring

OXYLANCE OXYGEN CONTROL VALVES

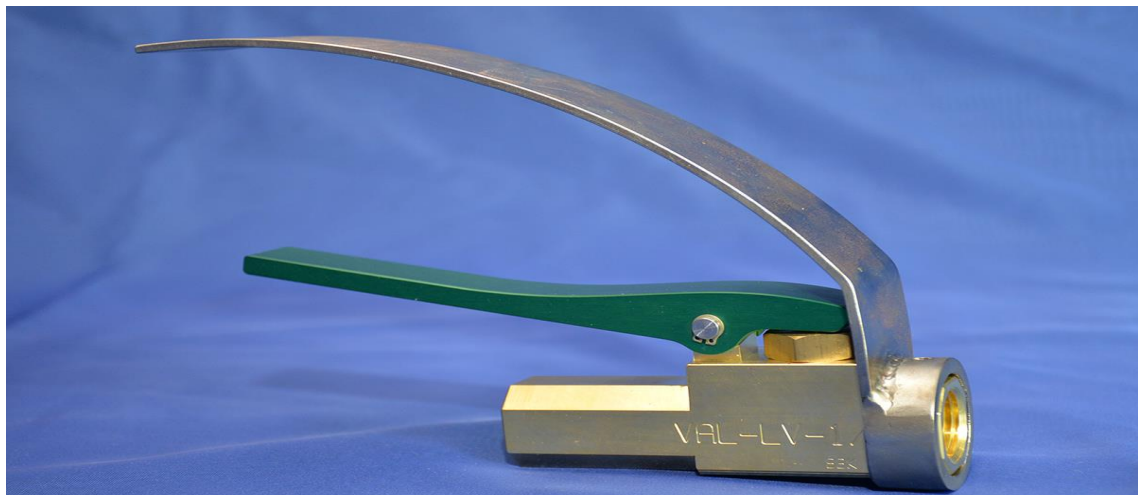


PART #	DESCRIPTION
VAL - OXY-1/2	1/2 " Ball Valve
VAL - OXY - 3/4	3/4 " Ball Valve

APOLLO OXYGEN CLEANED BALL VALVES

PART #	DESCRIPTION
VAL3/8 BALL	3/8" Ball Valve
VAL 1 BALL	1 " Ball Valve
VAL 1.25 BALL	1 1/4" Ball Valve

OXYGEN LEVER VALVE



PART #	DESCRIPTION
VAL-V25	1/4" NPT LV Lever Valve
VAL-LV-1/2	1/2" NPT LV Lever Valve
VAL-LV-1/2-B	1/2" NPT LV Lever Valve w/ CGA "B" fitting
VAL-LV-1/2-C	1/2" NPT LV Lever Valve w/ CGA "C" fitting
VAL-LV-HG	Lever Valve Guard
VAL-LV-LK	Replacement Lever and Pin #9 Lever #8 Lever Pin Retaining Clip #10 Lever Pin
VAL-LV-LK	Repair Kit #2 Stem, #3 Spring, #4 Washer, #5 Stem O-Ring #6 Retaining O-Ring #7 Nut

OXYGEN LANCE HOSE





300 PSI OXYGEN LANCE HOSE

PART #	DESCRIPTION
HL1/2X50C	Lance Hose 1/2" id X 50 feet long with CGA "C" fittings
HL1/2X75C	Lance Hose 1/2" id X 75 feet long with CGA "C" fittings
HL1/2X100C	Lance Hose 1/2" id X 100 feet long with CGA "C" fittings
HL1/2X150C	Lance Hose 1/2" id X 150 feet long with CGA "C" fittings
HL3/4X50D	Lance Hose 3/4" id X 50 feet long with CGA "D" fittings
HL3/4X100D	Lance Hose 3/4" id X 100 feet long with CGA "D" fittings
HL3/4X125D	Lance Hose 3/4" id X 125 feet long with CGA "D" fittings
Oxylance Inc. recommends minimum of 1/2" hose for all burning bar applications.	

IF 3/8" HOSE IS USED IT MUST BE A SINGLE RUN OF HOSE WITH NO SPLICES OR CONNECTORS THAT WILL RESTRICT THE OXYGEN FLOW. REPAIRING 3/8" HOSE OR JOINING 2 SECTIONS TOGETHER WILL REDUCE THE FLOW TOO MUCH FOR THE BURNING BAR TO OPERATE PROPERLY. WE WILL NOT BE RESPONSIBLE FOR BURNING BAR PERFORMANCE IF USED WITH 3/8" HOSE.

PART #	DESCRIPTION
HL3/8X25B	Lance Hose 3/8" id X 25 feet long with CGA "B" fittings
HL3/8X50B	Lance Hose 3/8" id X 50 feet long with CGA "B" fittings
HL3/8X75B	Lance Hose 3/8" id X 75 feet long with CGA "B" fittings
HL3/8X100B	Lance Hose 3/8" id X 100 feet long with CGA "B" fittings
HL3/8X50C	Lance Hose 3/8" id X 50 feet long with CGA "C" fittings
HL3/8X75C	Lance Hose 3/8" id X 75 feet long with CGA "C" fittings

HL3/8X100C	Lance Hose 3/8" id X 100 feet long with CGA "C" fittings
------------	--

CALL FOR PART NUMBERS FOR 500 PSI LANCING OR SCARFING HOSE. THESE HOSES ARE SPECIAL ORDER AND ARE AVAILABLE IN 50 AND 100 FOOT LENGTHS ONLY. AVAILABLE IN 1/2", 3/4", 1", 1-1/4" AND 1-1/2" i.d.

Oxylance Hose Reel Lancing Systems



Hose Reel DOES NOT include Holders

Oxylance Hose Reel Lancing Systems makes hose handling safer and more efficient. Storing hoses out of harm's way will increase the life of the hose. By improving hose management your company will decrease labor cost, reduce chances of injuries from trip hazards and reduce medical cost and insurance premiums that results from accidents. OSHA records show that the majority of general industry accidents which cause 15% of accidental deaths are caused by slips, trips and falls. OSHA standards for walking and working surfaces apply to all permanent places of employment. Prevent oxygen fires that can result from hoses damaged by either hot slag or hoses being run over by heavy equipment.

ADVANTAGES

- SAFETY: Reduces fire hazards caused by oxygen leaks from damaged hoses or lance holders
- SAFETY: Reduce accidents from trip hazards created by hoses laying in the work area
- COST: Improves the life of expensive hose reducing replacement cost
- COST: Reduces maintenance cost to repair damaged hose and lance holders
- EFFICIENCY: Organized workplace is proven to save money by improving efficiency
- OSHA: Assists companies to meet OSHA standards for walking and working surfaces.

HEAVY DUTY HOSE REEL SPECIFICATIONS

CONSTRUCTION:

Hose Reels are constructed from heavy gauge steel and are powder coated to eliminate corrosion for long life. Powder coat is Green to indicate Oxygen service. Reel is a spring drive retraction system with a containerized, spring assembly to protect it from the environment.

SWIVEL FLUID / AIR PATH

Swivel section is machined from Stainless Steel with a 1" NPT full port air path for unrestricted flow. Swivel is rated and CLEANED FOR OXYGEN SERVICE. All seals in the swivel are made from Viton Rubber which has the highest rating for oxygen service, and lubricated with Christo-Lube MCG 153.

HOSE AND HOLDERS

Oxylance holders sold separate. On hoses with CGA fittings you must order the holder with the matching male fitting on the holder. Example for a Lever Action holder for 1/2" hose the correct part number would be LA267FB-C. The -C indicates a CGA "C" fitting to match the hose fitting.

HOSE REEL PART NUMBERS

PART #	DESCRIPTION
HRD9400OLB	Hose Reel (No Hose) Female 1" inlet & female 1" out outlet

HOSE REEL WITH 300 PSI LANCE HOSE

PART #	DESCRIPTION
HRHL30-1/2X50C	Hose Reel w/ 50" of 1/2" 300 PSI Lance Hose w/ CGA "C" fittings
HRHL30-1/2X75C	Hose Reel w/ 75" of 1/2" 300 PSI Lance Hose w/ CGA "C" fittings
HRHL30-1/2X100C	Hose Reel w/ 100" of 1/2" 300 PSI Lance Hose w/ CGA "C" fittings
HRHL30-3/4X50D	Hose Reel w/ 50" of 3/4" 300 PSI Lance Hose w/ CGA "D" fittings
HRHL30-3/4X75D	Hose Reel w/ 75" of 3/4" 300 PSI Lance Hose w/ CGA "D" fittings

HOSE REEL WITH 500 PSI HEAVY DUTY MANDREL BUILT HOSE

PART #	DESCRIPTION
HRHN2527-1/2X50C	Hose Reel w/ 50" of 1/2" 500 PSI Lance Hose w/ CGA "C" fittings
HRHN2527-1/2X75C	Hose Reel w/ 75" of 1/2" 500 PSI Lance Hose w/ CGA "C" fittings
HRHN2527-1/2X100C	Hose Reel w/ 100" of 1/2" 500 PSI Lance Hose w/ CGA "C" fittings
HRHN2527-3/4X50D	Hose Reel w/ 50" of 3/4" 500 PSI Lance Hose w/ CGA "D" fittings
HRHN2527-3/4X75D	Hose Reel w/ 75" of 3/4" 500 PSI Lance Hose w/ male outlet pipe fittings

SPECIAL ORDERS - AVAILABLE WITH 3/8" & 1" HOSE

Installation kits with hose and fittings available - Ask for details

500 psi Maximum length of 1" hose on reel is 40 feet, 3/4" hose on the reel is 50 feet, 1/2" is 100 feet.

300 psi Maximum length of 3/4" hose on reel is 75 feet and 1/2" hose on the reel is 100 feet.

Hose reel without hose comes standard with 1" female NPT inlet swivel and 1" female NPT outlet in the center of the reel. Reel Dimensions; Dia. 24.25" Base 13.75"W, By 24.25"L, By 26.25" tall. Weight without hose 127 pounds.

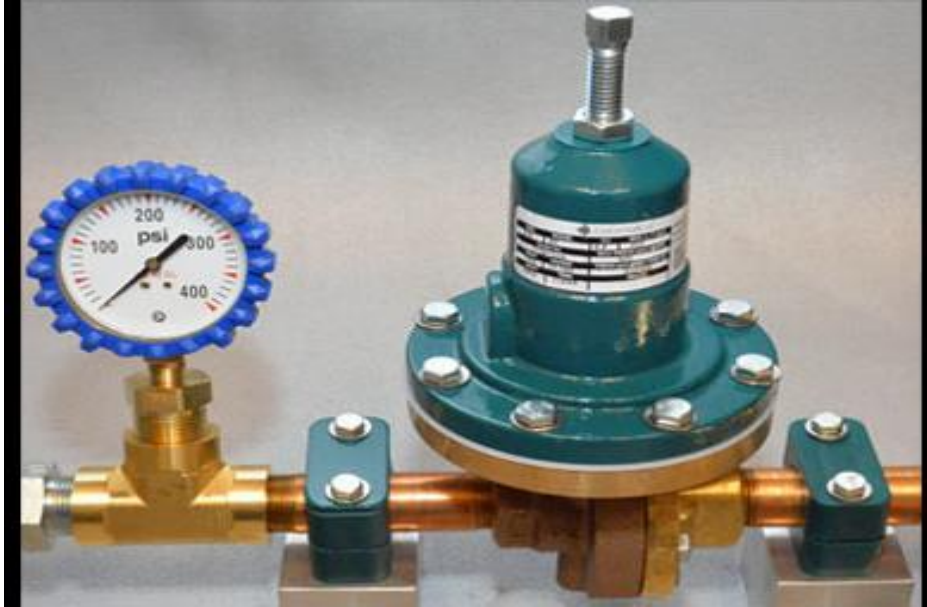
NOTE

Maximum working pressure for hose reels is predicated by the hose and control valve used. Our ball valves are rated at 600 psi and our V-05 dead man valves are rated for 200 psi.

For example a hose reel with 500 psi hose that is equipped with a V-05 dead man valve will be rated for 200 psi. A 300 psi hose with a ball valve is rated at 300 psi.

Maximum pressure of the swivel assembly is 3000 PSI.

HIGH FLOW MANIFOLD REGULATOR



The Manifold regulator can be used with either liquid oxygen or high pressure cylinders. This high volume regulator has 1/2" inlet and outlet ports. The regulator is available as either a manifold regulator (as pictured) or with a CGA 540 nut and nipple for high pressure cylinders.

PART #	DESCRIPTION
REG-HF-35-160	3/4" NPT 35-160 PSI Manifold Regulator
REG-HF-35-160-PG-D	3/4" NPT 35-160 PSI Manifold Regulator W/ Pressure Gauge and CGA "D" fitting
REG-HF-60-160	1" NPT 35-160 PSI Manifold Regulator
REG-HF-60-160-PG	1" NPT 35-160 PSI Manifold Regulator W/ Pressure Gauge

INLINE OXYGEN FILTER



Inline oxygen filter to prevent particle impacts from damaging internal regulator components.

PART #	DESCRIPTION
OXY-FLT-0701-3394	1" NPT Inline Oxygen Filter
OXY-FLT-0701-3399	Replacement Filter Element

OXYGEN LEAK DEDUCTION

Oxylance Leak Test Solution is perfect for use with all gas connections. Using soap and water for leak testing is not only dangerous, but the residue it leaves on fittings can also corrode or damage valve seats. Oxylance Leak Test Solution leaves no residue, meets MIL Spec PRF-25567E, ASME and CGA requirements.

STEEL MILL ACCESSORIES

SLAG MEASURING DEVICES

Slag Measurement Device gives the operators an exact depth of the slag so they can calculate the tons of steel in the ladle.



PART #	DESCRIPTION
44"SLAGMEASUREMENT	44" SLAG MEASURE FLATTENED ON ONE END

PIPE CRIMPING MACHINES



Oxylance offers two types of crimping machines for sealing slip fit or quick connect lance pipe.

CRIMPING MACHINES Oxylance offers both stationary and hand portable crimping machines for all diameters of lance pipe. Crimping Jaws available for all sizes of lance pipe with Slip On Couplings or our Quick Connect lance pipe. Completely self-contained, 3 phase electric motor

with high volume hydraulic pump. Easy operating foot controls. Multi-voltage AC electric motor running a hydraulic pump for fixed position crimping operations.

Portable Crimping Machine



Portable crimping machines offered in battery power or 110 AC power.

PORTABLE CRIMPING TOOLS Hand portable crimper can be battery powered or 110 ac. Custom built crimping jaws work well with slip on couplings as well as our Quick Connect pipe. No adjustments required. Apply power and gun shuts off

KEVLAR ALUMINIZED PROTECTIVE CLOTHING

For maximum protection from heat, slag and spatter during cutting operations we recommend Aluminized Kevlar protective clothing.



This type of clothing offers greater protection than leathers or flame retardant materials. For Aluminized Jacket the last letter in the part number is the size i.e. ALKEVJACL is for the Large

PART #	DESCRIPTION
ALKEVGLOV	Aluminized Kevlar Gloves (Aluminized back Kevlar palm)
ALKEVJACM	19 oz Aluminized Kevlar 30" Medium Jacket
ALKEVJACL	19 oz Aluminized Kevlar 30" Large Jacket
ALKEVJACXL	19 oz Aluminized Kevlar 30" Extra Large Jacket
ALKEVJACXXL	19 oz Aluminized Kevlar 30" Double X Jacket
ALKEVCHAPSM	19 oz Aluminized Kevlar Chaps Medium
ALKEVCHAPSL	19 oz Aluminized Kevlar Chaps Large
ALKEVCHAPSXL	19 oz Aluminized Kevlar Chaps X Large
ALKEVCHAPSXXL	19 oz Aluminized Kevlar Chaps X X Large
ALKEVLEG	19 oz Aluminized Kevlar 15" Leggings (boot cover)
ALKEVHOOD	19 oz Aluminized Kevlar Hood.

COOL SHIRT SYSTEM

A complete Cool Shirt system consist of a Cooler, Shirt, Hose and Required fire protection bag and hose cover.



The units can be used either with 110-volt AC power or a car battery. If not being used for welding or cutting applications the fireproof bag and hose cover are not required. If being used on a forklift or other heavy equipment the 110-volt transformer is not required. Call OxyLance to discuss your any application need.

PART #	DESCRIPTION
CS-OX-110-24	24 Quart Personal Cooling System Cooler w/ 110 / 12 volt transformer
CS-OX-24	24 Quart Cooler (wired for hooking into ignition on equipment)
CS-OX-MT-24	Mounting Tray for equipment with hold down straps
CS-OX-MPS	Multi Person Cooling System Cooler (110 volt only)
CS-OX-BP	Backpack Cooler w/ Battery and Charger
CS-OX-BP-7AHB	Backpack Cooler w/ 7-hour Battery and Charger
CS-OX-WP	Waist Pack Cooler w/ Battery and Charger
CS-OX-WP-7AHB	Waist Pack Cooler w/ 7-hour Battery and Charger
CS-OX-BCW-S	Small Cool Shirt
CS-OX-BCW-M	Medium Cool Shirt
CS-OX-BCW-L	Large Cool Shirt
CS-OX-BCW-XL	Extra Large Cool Shirt
CS-OX-BCW-XXL	Double Extra-Large Cool Shirt
CS-OX-BCW-XXXL	Triple Extra-Large Cool Shirt
CS-OX-BCWH-S	Small Cool Shirt with attached Cool Hood
CS-OX-BCWH-M	Medium Cool Shirt with attached Cool Hood
CS-OX-BCWH-L	Large Cool Shirt with attached Cool Hood
CS-OX-BCWH-XL	Extra Large Cool Shirt with attached Cool Hood
CS-OX-BCWH-XXL	Double Extra-Large Cool Shirt with attached Cool Hood
CS-OX-BCWH-XXXL	Triple Extra-Large Cool Shirt with attached Cool Hood
CS-OX-H-10	10-foot Cool Shirt Hose w/ connectors
CS-OX-H-20	20-foot Cool Shirt Hose w/ connectors
CS-OX-CH-10	10-foot Cool Shirt Hose w/ connectors and flow control valve

CS-OX-CH-20	20-foot Cool Shirt Hose w/ connectors and flow control valve
CS-OX-C-FLM	Female hose connector (replacement part for hoses)
CS-OX-C-MLS	Male hose connector (replacement part for hoses)
CS-OX-24-B	Fireproof Cooler Bag for 24 Quart Cool Shirt Cooler
CS-OX-HC-10	10-foot Fireproof Cover for 10' Cool Shirt Hose
CS-OX-HC-20	20-foot Fireproof Cover for 20' Cool Shirt Hose
CS-OX-AD-110	110 Volt to 12 Volt Transformer
CS-OX-W/B-CHAR	Charger for battery packs
CS-OX-BPB-4H	4 Hour battery
CS-OX-WPB-7H	7 Hour battery
CS-OX-MA-16	Maintenance additive solution 16 oz. bottle
CS-OX-MAC-16	Case of 12, 16 oz bottles of maintenance additive solution